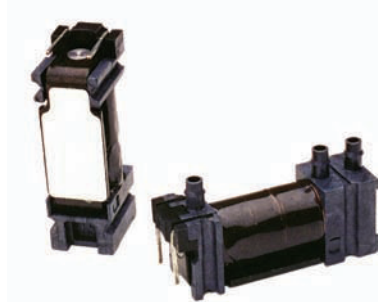


Ten-X[®] Digital Solenoid Valve

10mm Normally Open/Closed Solenoid Valve



Ten-X[®] is a 10mm solenoid valve with a 2- or 3-way NO/NC and distributor design. Ten-X delivers repeatable “energized” and “de-energized” response times, low power, and flow capability to meet the specific performance requirements of medical devices.

Features

- Small 10mm footprint, with up to 8 lpm of flow
- Highly reliable single piece body design
- Universal barb or manifold connections and PCB mount
- 20 million cycles (*worst case tested, no performance degradation*)
- ROHS compliant

Common Applications

- Portable medical equipment
- Patient monitors
- Wound therapy
- Non-invasive blood pressure

Physical Properties

Valve Type:

2/3-Way Normally Closed
2 and 3-Way Normally Open
3-Way Distributor

Media:

Non-Reactive Gases

Operating Environment:

32 to 122°F (0 to 50°C)
Continuous Duty

Storage Temperature:

-40 to 158°F (-40 to 70°C)

Length:

1.26 in. (32 mm)

Width:

0.39 in. (10 mm)

Height:

0.63 in. (16 mm)

Porting:

Barbs for 0.078 in. ID tubing;
Manifold mount with gasket

Weight:

0.39 oz. (10.7 grams)

Internal Volume:

0.0080 in.³ (0.131 cm³)

Electrical

Power:

0.5 Watt (Continuous Duty)

Voltage:

5, 12, 24 VDC

Electrical Connections:

PC Pins, 6 mm centers

Wetted Materials

Polybutylene Terephthalate (PBT)
Glass Filled, 430FR Series Stainless
Steel, 302 Series Stainless Steel,
Silicone, EPDM or FKM elastomer
Consult factory for details.

Performance Characteristics

Leak Rate:

0.016 sccm of air (Silicone)
0.2 sccm of air (Viton & EPDM)

Response Time:

<5 msec cycling (Silicone)
<20 msec cycling (Viton & EPDM)

Pressure:

Up to 6 psi (0.04 MPa)

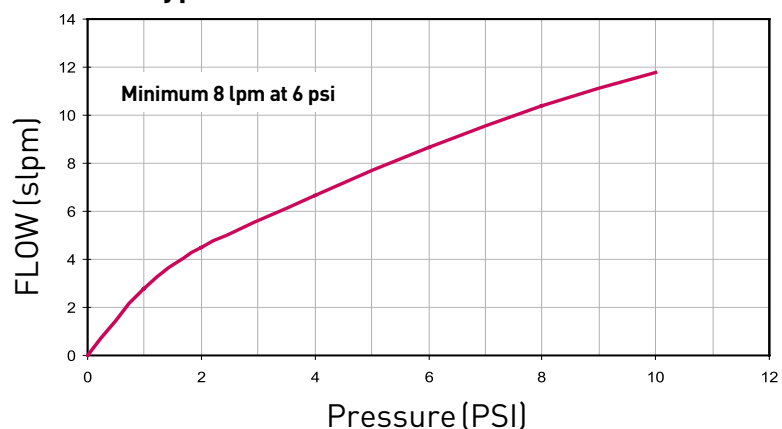
Minimum Flow:

8 lpm @ 6 psi (0.04 MPa)

Orifice Sizes/Equivalent Cv:

0.060"/0.042 Cv

Typical Flow Curve (Tested w/ air 24°C)

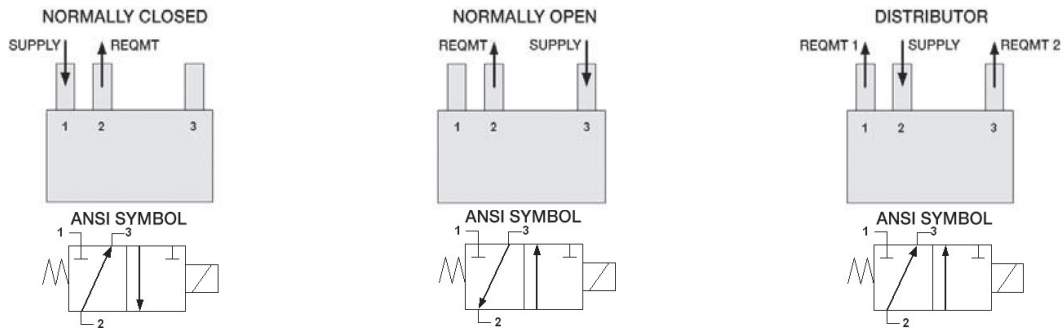


Ten-X is a registered trademark of Parker Hannifin Corporation.

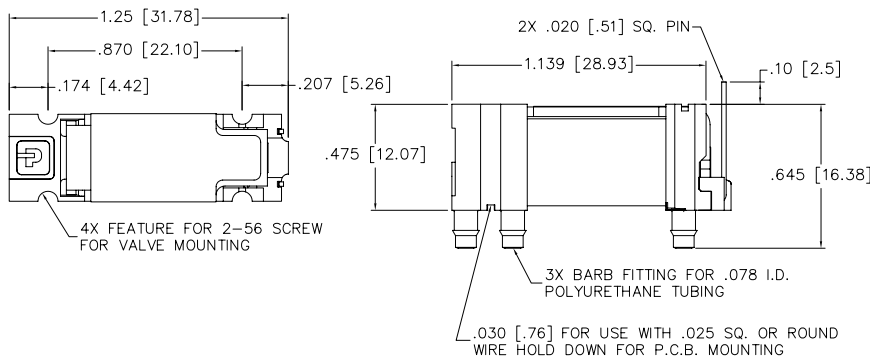


Ten-X[®] Digital Solenoid Valve

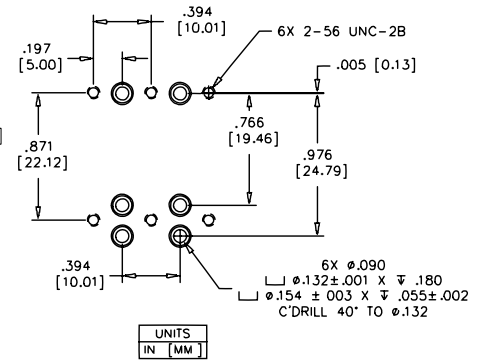
Connection Diagram



Dimensions



Manifold Mount Diagram



Ordering Information

Sample Part ID	914	1	1	1	05	1	000	
Description	Series	Elastomer	Valve Type	Model	Voltage	Electrical		Accessories
Options		1: Silicon 2: Viton (FKM) 3: EPDM	1: 2-Way NO 6 PSI Silicone/EPDM Elastomer 2: 2/3 Way NC 6 PSI FKM Elastomer Only 6: Distributor 6 PSI FKM/EPDM Elastomer 7: 3-Way NO 6 PSI Silicone/EPDM Elastomer	1: Standard	05: 5 VDC 12: 12 VDC 24: 24 VDC	1: Pins (6mm) 2: PC Mount		Mounting Screw 191-00012-010 * Manifold Gasket (FKM) 195-000211-001 * Manifold Gasket (EPDM) 195-000211-001 * 18" Leads w/ Connector 590-000073-001 *



* Order as separate line items

NOTE: Not all versions available for online purchase. Please consult Parker Precision Fluidics for other considerations. For more detailed information, visit us on the Web, or call and refer to Performance Spec. #790-002213-001 and Drawing #890-003150-001.

PPF-MSV-002/US Sept 2009

For more information call 1.800.525.2857 or email ppfinfo@parker.com
 Visit www.parker.com/precisionfluidics

